

Technical Proposal for JX-HPF1-20G40G-45F Cavity Filter

◆ High Performance

◆ High Reliability

Revision History

Version	Date	Author	Revision description	Comment
V1.0	2020/09/28	Wang	Created	/

Table of content

Technical Proposal for JX-HPF1-20G40G-45F Cavity Filter.....	1
1. Mechanical specification	2
2. Electrical analysis.....	2
2.1 Electrical specification	2
2.2 The simulation curve	3

Figures

Figure 1 JX-HPF1-20G40G-45F front panel layout	2
Figure 2 The simulation curve of the filter	3

Table

Table 1 Mechanical specifications @ JX-HPF1-20G40G-45F	2
Table 2 Electrical specifications @ JX-HPF1-20G40G-45F	2

JING XIN MICROWAVE TECHNOLOGY CO.,LTD

E-mail: sales@cdjx-mw.com Web: <http://www.cdjx-mw.com>

TEL: +86-28-85026087 FAX: +86-28-65026087 ext.8033 Zip Code:610045

Add: No.65,West 1st Wu Ke Road, Wu Hou District, Cheng Du City, Si Chuan Province, China.

1. Mechanical specification

Table 1 Mechanical specifications @ JX-HPF1-20G40G-45F

Dimension	L x W x H: 40mm x 14mm x 10mm
Connectors	2.92-Female
Notes	Material shall be RoHS 6/6

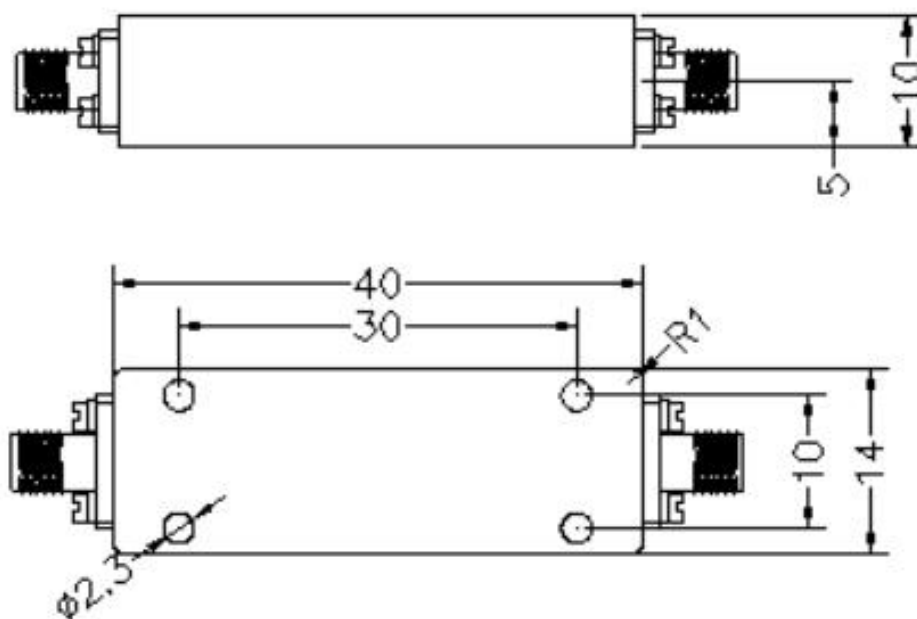


Figure 1 JX-HPF1-20G40G-45F front panel layout

2. Electrical analysis

2.1 Electrical specification

Table 2 Electrical specifications @ JX-HPF1-20G40G-45F

Item	Parameter	Specifications
1	Frequency range	20-40GHz
2	Insertion loss	≤2.0dB
3	VSWR	≤2.0
4	Rejection	≥45dB@DC-18.5GHz
5	Impedance	50Ω
6	Operating temperature	-40°C to +70°C

JING XIN MICROWAVE TECHNOLOGY CO.,LTD

E-mail: sales@cdjx-mw.com Web: <http://www.cdjx-mw.com>

TEL: +86-28-85026087 FAX: +86-28-65026087 ext.8033 Zip Code:610045

Add: No.65,West 1st Wu Ke Road, Wu Hou District, Cheng Du City, Si Chuan Province, China.

2.2 The simulation curve

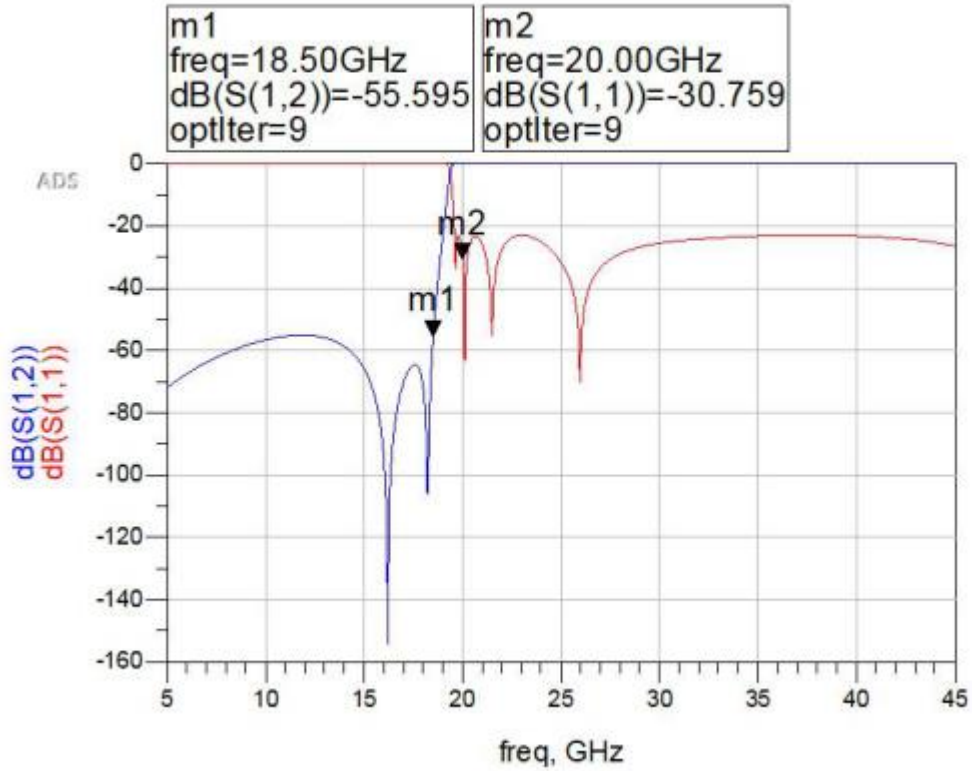


Figure 2 The simulation curve of the filter

JING XIN MICROWAVE TECHNOLOGY CO.,LTD

E-mail: sales@cdjx-mw.com Web: <http://www.cdjx-mw.com>

TEL: +86-28-85026087 FAX: +86-28-65026087 ext.8033 Zip Code:610045

Add: No.65,West 1st Wu Ke Road, Wu Hou District, Cheng Du City, Si Chuan Province, China.