

Technical proposal for JX-SNW-100-XX-3 Attenuator

Revision History

Version	Date	Author	Revision description	Comment
V1.0	2018/06/04	Lin liqun	Created	/

Table of content

Technical proposal for JX-SNW-100-XX-3 Attenuator	1
1. Mechanical layout.....	2
2. Electrical Specifications	2

Figures

Figure 1 JX-SNW-100-XX-3 front panel layout.....	2
--------------------------------------------------	---

Tables

Table 1 Mechanical Specifications	2
Table 2 Electrical specifications.....	2

JING XIN MICROWAVE TECHNOLOGY CO.,LTD

E-mail: sales@cdjx-mw.com Web: <http://www.cdjx-mw.com>

TEL: +86-28-85026087 FAX: +86-28-65941390 Zip Code:610045

Add: No.65,West 1st Wu Ke Road, Wu Hou District, Cheng Du City, Si Chuan Province, China.

1. Mechanical layout

Table 1 Mechanical Specifications

Dimension	LxWxH: 165mm x 100mm x 60mm
Connectors	N-Male to N-Female
Weight	1.2kg
Notes	Material shall be RoHS 6/6

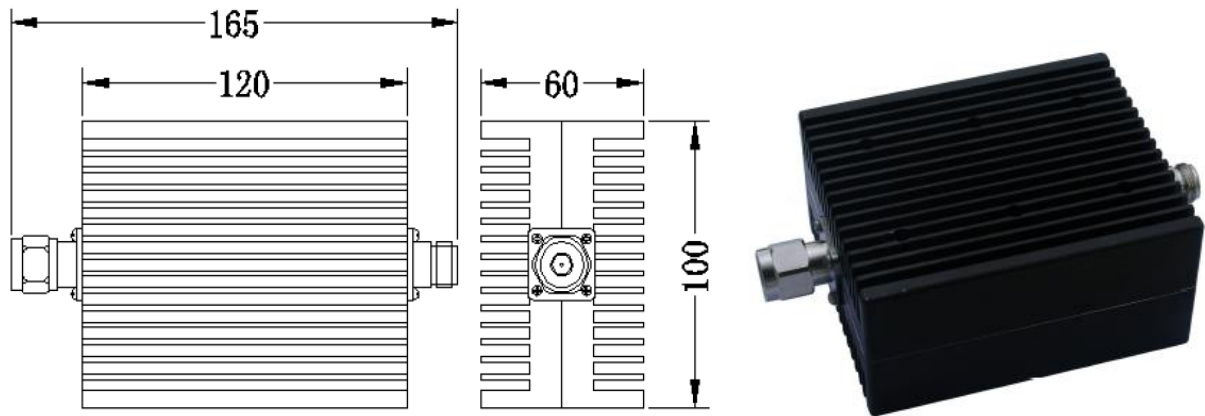


Figure 1 JX-SNW-100-XX-3 front panel layout

2. Electrical Specifications

Table 2 Electrical specifications

Item	Parameter	Specification						
1	Frequency range	DC-3GHz						
2	Attenuation	3dB	6dB	10dB	15dB	20dB	30dB	40dB
3	Decay accuracy	±0.4dB	±0.4dB	±0.5dB	±0.5dB	±0.6dB	±0.8dB	±1.0dB
4	In-band ripple	±0.3	±0.5	±0.7	±0.8	±0.8	±1.0	±1.0
5	VSWR	≤1.2						
6	Rated Power	100W						
	Peak Power	10KW						
7	Temperature range	-55 ~ +125°C						
8	Impedance all ports	50Ω						
9	PIM3	≤-120dBc@2*33dBm						

JING XIN MICROWAVE TECHNOLOGY CO.,LTD

E-mail: sales@cdjx-mw.com Web: <http://www.cdjx-mw.com>

TEL: +86-28-85026087 FAX: +86-28-65941390 Zip Code:610045

Add: No.65,West 1st Wu Ke Road, Wu Hou District, Cheng Du City, Si Chuan Province, China.