

Technical proposal for

◆ High Performance

◆ High Reliability

Revision History

Version	Date	Author	Revision description	Comment
V1.0	2020/06/12	Lee	Created	/
V1.1	2020/06/17	Lee	Updated the dimension and rejection	Customer request
V1.2	2020/06/19	Lee	Updated the rejection	Customer request

Table of content

Technical proposal for JX-CF1-16170M16970M-S65 Cavity Filter.....	1
1. Mechanical layout.....	1
2. Electrical analysis.....	2
2.1 Electrical specification.....	2
2.2 The simulation curve.....	3

Figures

Figure 1 JX-CF1-16170M16970M-S65 front panel layout.....	2
Figure 2 The simulation 3D model of the filter.....	3
Figure 3 The simulation curve of the filter.....	4

Tables

Table 1 Mechanical specification @ JX-CF1-16170M16970M-S65.....	1
Table 2 Electrical specification @ JX-CF1-16170M16970M-S65.....	2

1. Mechanical layout

Table 1 Mechanical specification @ JX-CF1-16170M16970M-S65

JING XIN MICROWAVE TECHNOLOGY CO.,LTD

E-mail: sales@cdjx-mw.com Web: <http://www.cdjx-mw.com>

TEL: +86-28-85026087 FAX: +86-28-65026087 ext.8033 Zip Code:610045

Add: No.65,West 1st Wu Ke Road, Wu Hou District, Cheng Du City, Si Chuan Province, China.

Dimension	L x W x H: 57.5mm x 13mm(Max 15mm) x 7.8mm
Port connectors	SMA-Female
Finish	Silver
Vibration	6Grms/axis, 10min/axis, A total of 3axis
Shock	20G, 11ms sawtooth wave at trailing edge, 3axis6way, 3times/way
Notes	Material shall be RoHS 6/6

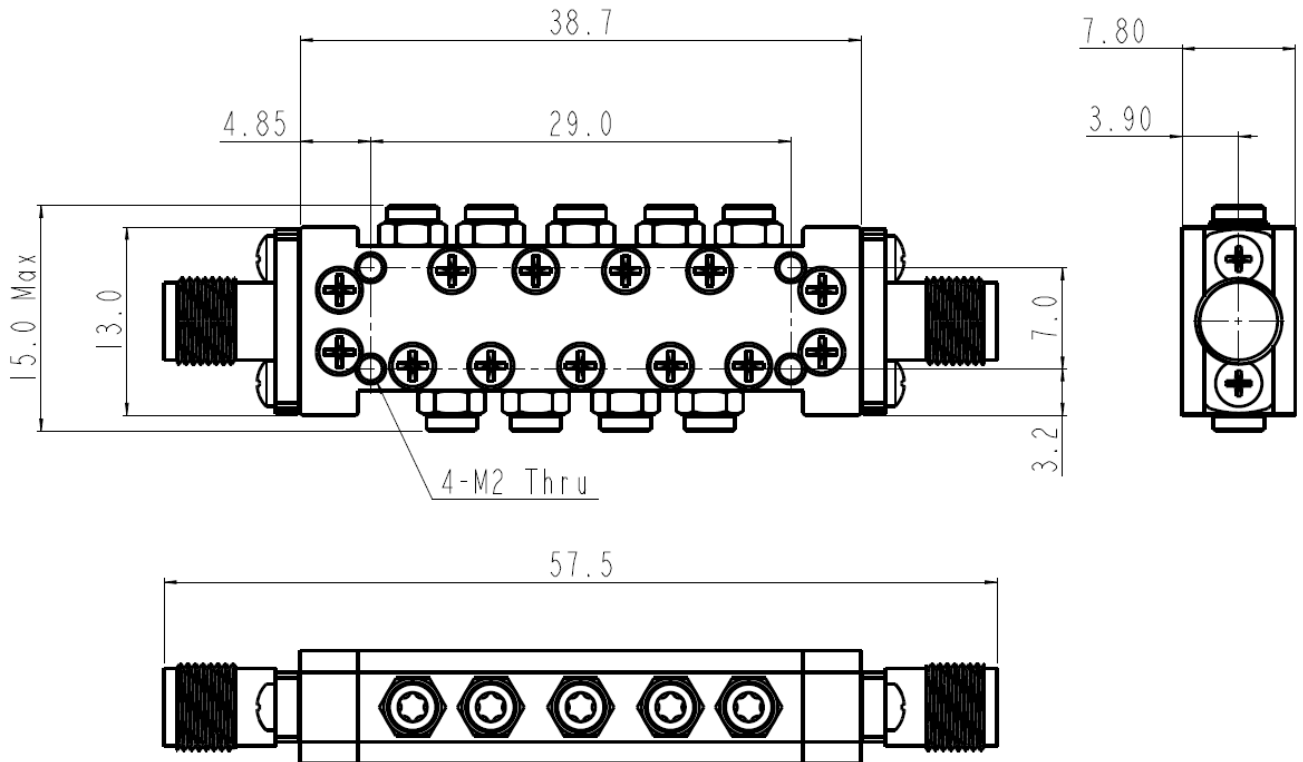


Figure 1 JX-CF1-16170M16970M-S65 front panel layout

2. Electrical analysis

2.1 Electrical specification

Table 2 Electrical specification @ JX-CF1-16170M16970M-S65

Item	Parameter	Specifications
------	-----------	----------------

JING XIN MICROWAVE TECHNOLOGY CO.,LTD

E-mail: sales@cdjx-mw.com Web: <http://www.cdjx-mw.com>

TEL: +86-28-85026087 FAX: +86-28-65026087 ext.8033 Zip Code:610045

Add: No.65,West 1st Wu Ke Road, Wu Hou District, Cheng Du City, Si Chuan Province, China.

1	Frequency range	16.17-16.97GHz
2	Return loss	$\geq 18\text{dB}$
3	Insertion loss	$\leq 1.0\text{dB}$
4	Rejection	$\geq 60\text{dB}$ @ 14.51GHz $\geq 30\text{dB}$ @ 18.0GHz
5	Temperature range	-40°C to +85°C
6	Impedance	50 Ω

2.2 The simulation curve

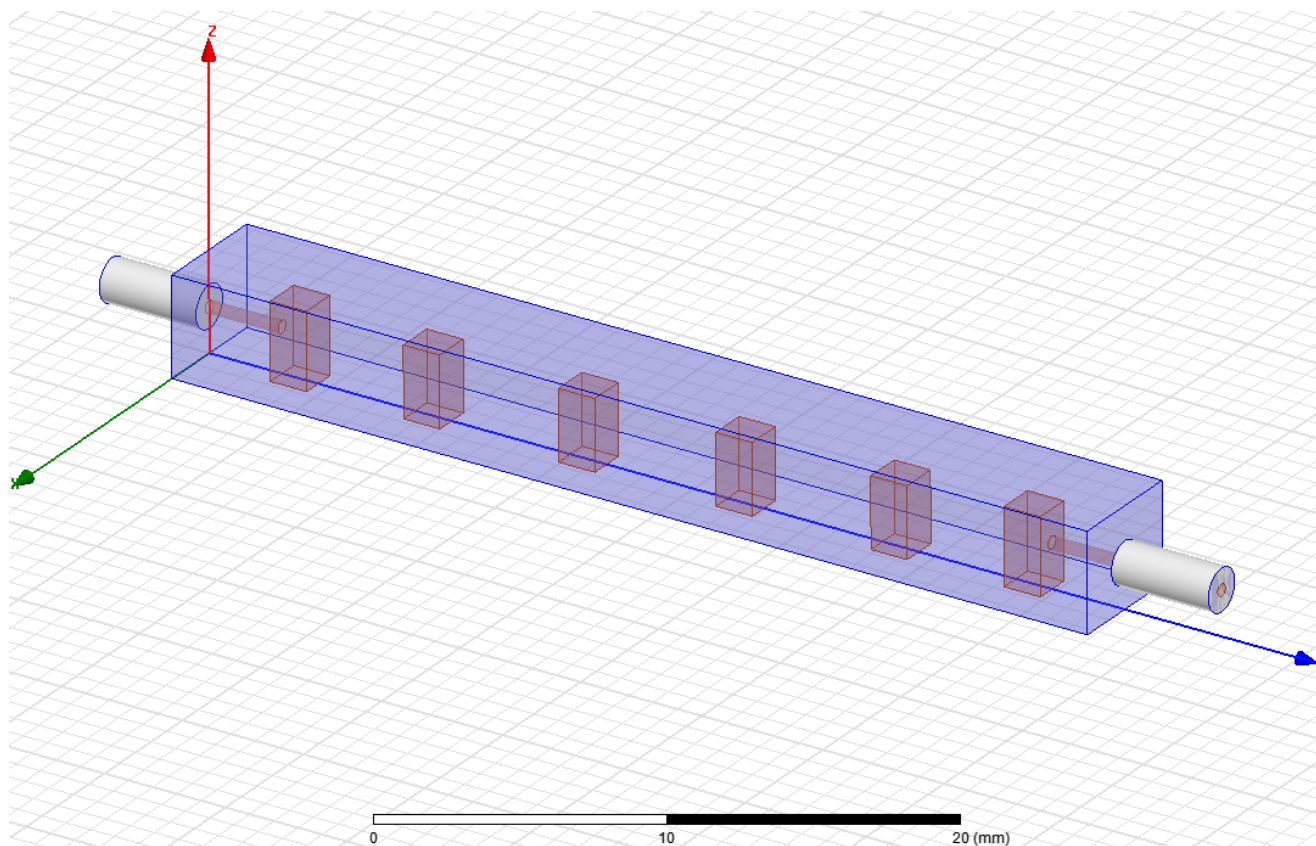


Figure 2 The simulation 3D model of the filter

JING XIN MICROWAVE TECHNOLOGY CO.,LTD

E-mail: sales@cdjx-mw.com Web: <http://www.cdjx-mw.com>

TEL: +86-28-85026087 FAX: +86-28-65026087 ext.8033 Zip Code:610045

Add: No.65,West 1st Wu Ke Road, Wu Hou District, Cheng Du City, Si Chuan Province, China.

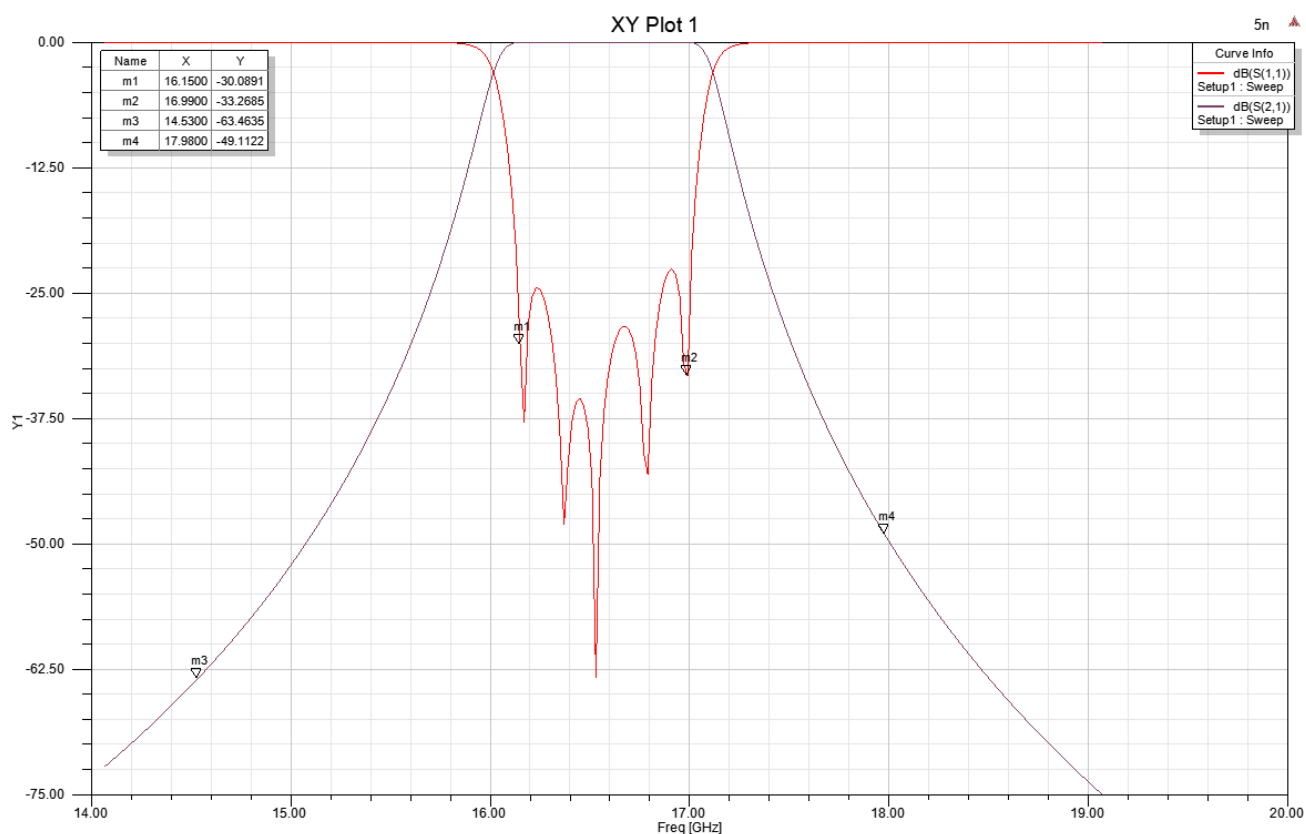


Figure 3 The simulation curve of the filter

JING XIN MICROWAVE TECHNOLOGY CO.,LTD

E-mail: sales@cdjx-mw.com Web: <http://www.cdjx-mw.com>

TEL: +86-28-85026087 FAX: +86-28-65026087 ext.8033 Zip Code:610045

Add: No.65,West 1st Wu Ke Road, Wu Hou District, Cheng Du City, Si Chuan Province, China.