

# Technical proposal for JX-CT-390M430M-22T Circulator

- ◆ High Performance
- ◆ High Reliability

## Revision History

Version	Date	Author	Revision description	Comment
V1.0	2019/05/16	Lin liqun	Created	/
V1.1	2019/05/23	Lee	Updated the thickness of the dimension	9.0mm → 11.0mm

## Table of content

Technical proposal for JX-CT-390M430M-22T Circulator.....	1
1. Mechanical layout.....	2
2. Electrical analysis.....	2

## Figures

Figure 1 JX-CT-390M430M-22T front panel layout .....	2
--	---

## Tables

Table 1 Mechanical specifications .....	2
Table 2 Electrical specifications.....	2

**JING XIN MICROWAVE TECHNOLOGY CO.,LTD**

E-mail: [sales@cdjx-mw.com](mailto:sales@cdjx-mw.com) Web: <http://www.cdjx-mw.com>

TEL: +86-28-85026087 FAX: +86-28-65026087 ext.8033 Zip Code:610045

Add: No.65,West 1st Wu Ke Road, Wu Hou District, Cheng Du City, Si Chuan Province, China.

## 1. Mechanical layout

Table 1 Mechanical specifications

Dimension	L x W x H: 38mm x 38mm x 11mm
Connectors	TAB
Notes	Material shall be RoHS 6/6

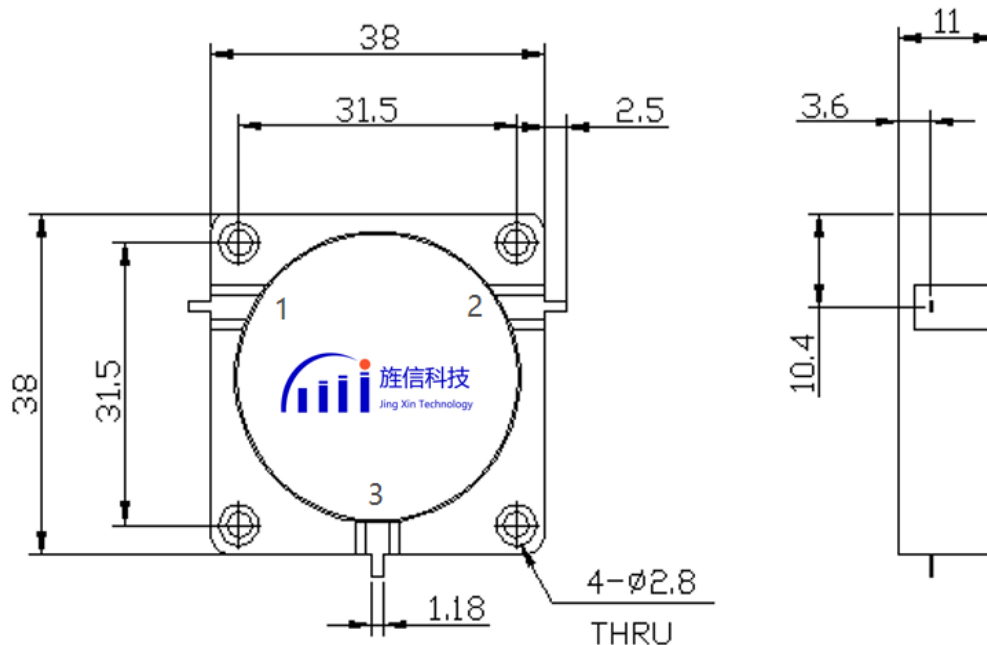


Figure 1 JX-CT-390M430M-22T front panel layout

## 2. Electrical analysis

Table 2 Electrical specifications

Item	Parameter	Specification
1	Frequency range	390-430MHz
2	VSWR	$\leq 1.2$
3	Insertion loss	$\leq 0.4\text{dB}$
4	Isolation	$\geq 22\text{dB}$
5	Forward power	200W
6	Reverse power	200W
7	Impedance	50 $\Omega$
8	Temperature range	-30°C to +70°C

**JING XIN MICROWAVE TECHNOLOGY CO.,LTD**

E-mail: [sales@cdjx-mw.com](mailto:sales@cdjx-mw.com) Web: <http://www.cdjx-mw.com>

TEL: +86-28-85026087 FAX: +86-28-65026087 ext.8033 Zip Code:610045

Add: No.65,West 1st Wu Ke Road, Wu Hou District, Cheng Du City, Si Chuan Province, China.