

# Technical proposal for JX-PC-300-500-xNF Directional Coupler

- ◆ Low Insertion Loss
- ◆ High Rejection
- ◆ Small volume
- ◆ High Reliability

## Revision History

Version	Date	Author	Revision description	Comment
V1.0	2013/06/21	Sam Chen	Created	/
V1.1	2019/03/01	Sam Chen	Update outline drawing	/
V1.2	2019/10/17	Sam Chen	Update 30dB Coupler Directivity	20dB changed to 13dB

**JING XIN MICROWAVE TECHNOLOGY CO.,LTD**

E-mail: [sales@cdjx-mw.com](mailto:sales@cdjx-mw.com) Web: <http://www.cdjx-mw.com>

TEL: +86-28-85026087 FAX: +86-28-65026087 ext.8033 Zip Code:610045

Add: No.65,West 1st Wu Ke Road, Wu Hou District, Cheng Du City, Si Chuan Province, China.

## Table of content

Technical proposal for JX-PC-300-500-xNF Directional Coupler .....	1
1. Mechanical layout.....	2
2. Electrical specifications .....	3

## Figures

Figure 1 JX-PC-300-500-xNF front panel layout .....	3
---	---

## Tables

Table 1 Mechanical Specifications @ JX-PC-300-500-xNF .....	2
Table 2 Electrical specifications @ JX-PC-300-500-xNF .....	3

### 1. Mechanical layout

Table 1 Mechanical Specifications @ JX-PC-300-500-xNF

Dimension	LxWxH: 142mm x 37mm x 23mm
Port connectors	N-Female
Finish	Black
Notes	Material shall be RoHS 6/6

## JING XIN MICROWAVE TECHNOLOGY CO.,LTD

E-mail: [sales@cdjx-mw.com](mailto:sales@cdjx-mw.com) Web: <http://www.cdjx-mw.com>

TEL: +86-28-85026087 FAX: +86-28-65026087 ext.8033 Zip Code:610045

Add: No.65,West 1st Wu Ke Road, Wu Hou District, Cheng Du City, Si Chuan Province, China.

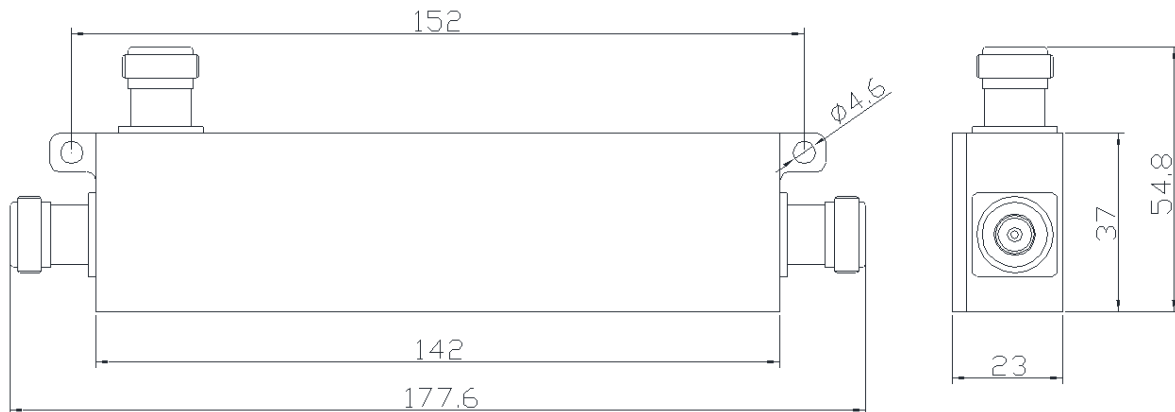


Figure 1 JX-PC-300-500-xNF front panel layout

## 2. Electrical specifications

Table 2 Electrical specifications @ JX-PC-300-500-xNF

Item	Parameter	spec				
1	Frequency Rang	300-500MHz				
2	Product Number	JX-PC-300-500-6NF	JX-PC-300-500-10NF	JX-PC-300-500-15NF	JX-PC-300-500-20NF	JX-PC-300-500-30NF
3	Coupling(dB)	6±1.0	10±1.0	15±1.0	20±1.0	30±1.0
4	Mainline loss(dB)	1.7	0.8	0.5	0.3	0.2
5	Directivity	20dB				13dB
6	VSWR	≤1.25:1				
7	Power Rating	50 W				
8	Impedance	50 Ω				
9	Temperature Range	-25 to +75℃				
10	Applications	Indoor/Outdoor Use, IP65 ,RoHS Compliant				

**JING XIN MICROWAVE TECHNOLOGY CO.,LTD**

E-mail: [sales@cdjx-mw.com](mailto:sales@cdjx-mw.com) Web: <http://www.cdjx-mw.com>

TEL: +86-28-85026087 FAX: +86-28-65026087 ext.8033 Zip Code:610045

Add: No.65,West 1st Wu Ke Road, Wu Hou District, Cheng Du City, Si Chuan Province, China.