

Technical Proposal for JX-CC3-885M2690M-80DG2 Cavity Combiner

Revision History

Version	Date	Author	Revision description	Comment
V1.0	2017/07/03	Lin liqun	Created	

JING XIN MICROWAVE TECHNOLOGY CO.,LTD

E-mail: sales@cdjx-mw.com Web: <http://www.cdjx-mw.com>

TEL: +86-28-85026087 FAX: +86-28-65941390 Zip Code:610045

Add: No.65,West 1st Wu Ke Road, Wu Hou District, Cheng Du City, Si Chuan Province, China.

Table of content

Technical Proposal for JX-CC3-885M2690M-80DG2 Cavity Combiner	1
1. Mechanical layout.....	3
2. Electrical analysis.....	4
2.1 Schematic diagram of the Combiner.....	4
2.2 Electrical specifications	4

Figures

Figure 1 JX-CC3-885M2690M-80DG2 front panel layout	3
Figure 2 Schematic diagram of the Combiner	4

Tables

Table 1 Mechanical Specifications	3
Table 2 Electrical specifications.....	4

JING XIN MICROWAVE TECHNOLOGY CO.,LTD

E-mail: sales@cdjx-mw.com Web: <http://www.cdjx-mw.com>

TEL: +86-28-85026087 FAX: +86-28-65941390 Zip Code:610045

Add: No.65,West 1st Wu Ke Road, Wu Hou District, Cheng Du City, Si Chuan Province, China.

1. Mechanical layout

Table 1 Mechanical Specifications

Dimension	LxWxH: 168mm x 152mm x 103mm
Port connectors	DIN-Female
Weight	4.25Kg
Notes	Material shall be RoHS 6/6

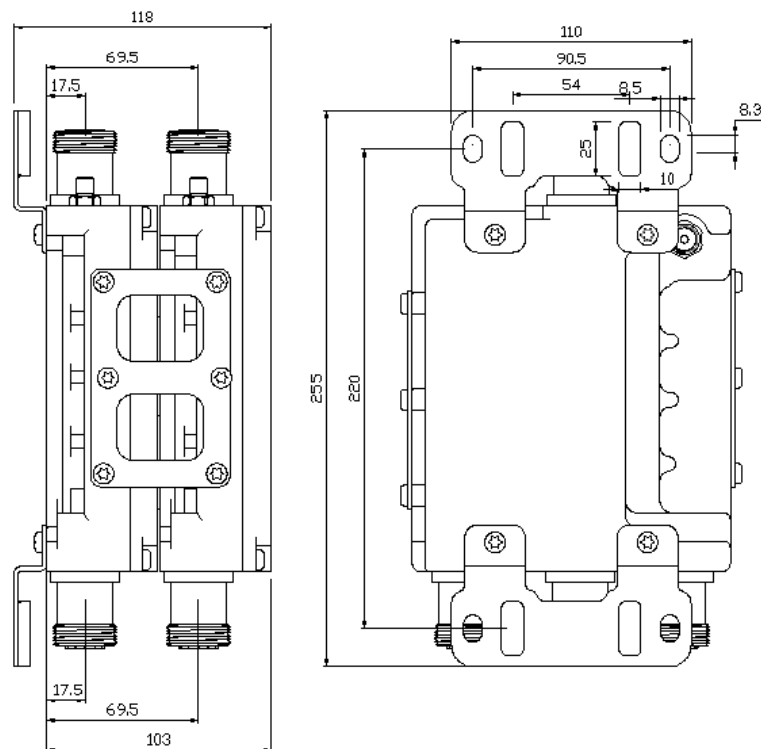


Figure 1 JX-CC3-885M2690M-80DG2 front panel layout

JING XIN MICROWAVE TECHNOLOGY CO.,LTD

E-mail: sales@cdjx-mw.com Web: <http://www.cdjx-mw.com>

TEL: +86-28-85026087 FAX: +86-28-65941390 Zip Code:610045

Add: No.65,West 1st Wu Ke Road, Wu Hou District, Cheng Du City, Si Chuan Province, China.

2. Electrical analysis

2.1 Schematic diagram of the Combiner

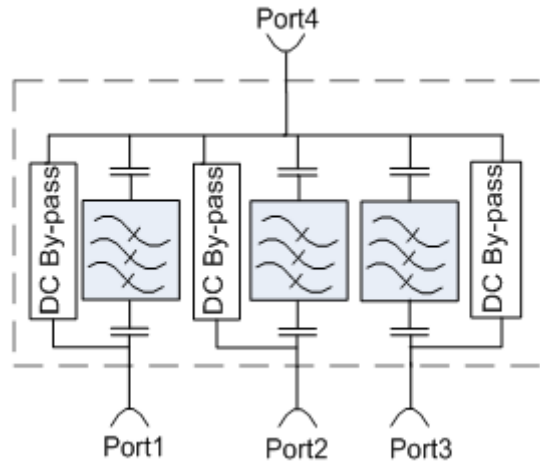


Figure 2 Schematic diagram of the Combiner

2.2 Electrical specifications

Table 2 Electrical specifications

Item	Parameter	Spec	Spec	Spec
1	Frequency range	885-960 MHz	1880-1920MHz	2500-2690MHz
2	Return loss	≥20dB		
3	Insertion loss	≤0.5dB		
4	In-band ripple	≤0.35dB		
5	Isolation	≥80dB		
6	Input power	≤300W		
7	Impedance all ports	50 Ohm		
8	PIM3	≤-150 dBc @2*43dBm		
9	DC/AISG	By-pass(max.3000 mA)		
10	Lightning protection	3KA; 10/350us pulse		
11	Operating temperature	-20 °C ~ +60 °C		
12	Storage temperature	-40 °C ~ +85 °C		
13	Relative humidity	5% - 95%		
14	Ingress Protection	Indoor/Outdoor Use, IP67		

JING XIN MICROWAVE TECHNOLOGY CO.,LTD

E-mail: sales@cdjx-mw.com Web: <http://www.cdjx-mw.com>

TEL: +86-28-85026087 FAX: +86-28-65941390 Zip Code:610045

Add: No.65,West 1st Wu Ke Road, Wu Hou District, Cheng Du City, Si Chuan Province, China.