

Technical proposal for JX-MC3-1429M5250M-20S Suspended Microstrip Triplexer

- ◆ High Performance
- ◆ High Reliability

Revision History

Version	Date	Author	Revision description	Comment
V1.0	2019/04/28	Lin liqun	Created	/

JING XIN MICROWAVE TECHNOLOGY CO.,LTD

E-mail: sales@cdjx-mw.com Web: <http://www.cdjx-mw.com>

TEL: +86-28-85026087 FAX: +86-28-65026087 ext.8033 Zip Code:610045

Add: No.65,West 1st Wu Ke Road, Wu Hou District, Cheng Du City, Si Chuan Province, China.

Table of content

Technical proposal for JX-MC3-1429M5250M-20S Suspended Microstrip Triplexer	1
1. Mechanical layout.....	3
2. Electrical Specifications	3

Figures

Figure 1 JX-MC3-1429M5250M-20S front panel layout	3
---	---

Tables

Table 1 Mechanical specifications	3
Table 2 Electrical specifications.....	3

JING XIN MICROWAVE TECHNOLOGY CO.,LTD

E-mail: sales@cdjx-mw.com Web: <http://www.cdjx-mw.com>

TEL: +86-28-85026087 FAX: +86-28-65026087 ext.8033 Zip Code:610045

Add: No.65,West 1st Wu Ke Road, Wu Hou District, Cheng Du City, Si Chuan Province, China.

1. Mechanical layout

Table 1 Mechanical specifications

Dimension	LxWxH: 106mm x 60mm x 10mm
Connectors	SMA-Female
Notes	Material shall be RoHS 6/6

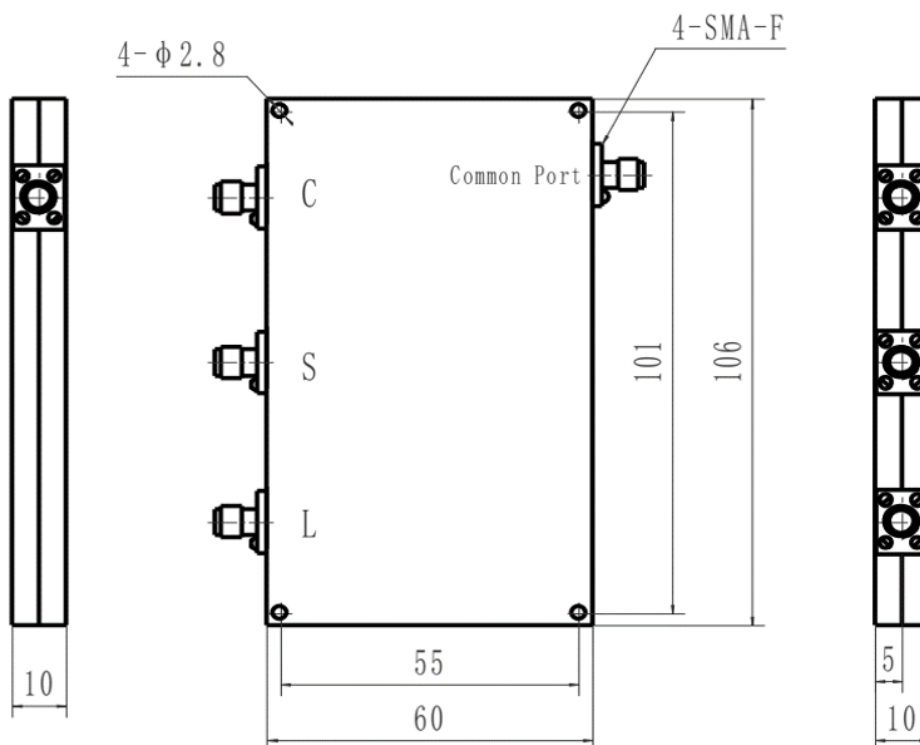


Figure 1 JX-MC3-1429M5250M-20S front panel layout

2. Electrical Specifications

Table 2 Electrical specifications

Item	Parameter	C Band	S Band	L Band
1	Frequency Range	4400-5250MHz	2200-2490MHz	1429-1850MHz
2	Insertion Loss with in BW	≤2.0dB	≤2.0dB	≤2.0dB
3	VSWR	≤1.5:1	≤1.5:1	≤1.5:1
4	Isolation between port	≥20dB	≥20dB	≥20dB
5	Power handling	+15dBm CW		
6	Impedance all ports	50Ω		

JING XIN MICROWAVE TECHNOLOGY CO.,LTD

E-mail: sales@cdjx-mw.com Web: <http://www.cdjx-mw.com>

TEL: +86-28-85026087 FAX: +86-28-65026087 ext.8033 Zip Code:610045

Add: No.65,West 1st Wu Ke Road, Wu Hou District, Cheng Du City, Si Chuan Province, China.