

# Technical proposal for JX-PS-3-4310 Power Divider

## Revision History

Version	Date	Author	Revision description	Comment
V1.0	2020/07/14	Sam Chen	Created	/

## Table of content

Technical proposal for JX-PS-3-4310 Power Divider.....	1
1. Mechanical layout.....	3
2. Electrical analysis.....	4
2.1 Electrical specifications .....	4

## Figures

Figure 1 JX-PS-3-4310 front panel layout .....	3
--	---

**JING XIN MICROWAVE TECHNOLOGY CO.,LTD**

E-mail: [sales@cdjx-mw.com](mailto:sales@cdjx-mw.com) Web: <http://www.cdjx-mw.com>

TEL: +86-28-85026087 FAX: +86-28-65026087 ext.8033 Zip Code:610045

Add: No.65,West 1st Wu Ke Road, Wu Hou District, Cheng Du City, Si Chuan Province, China.

## Tables

Table 1 Mechanical Specifications @ JX-PS-3-4310.....	3
Table 2 Electrical specifications @ JX-PS-3-4310.....	4

## 1. Mechanical layout

Table 1 Mechanical Specifications @ JX-PS-3-4310

Parameter	Specification
Dimension	L x W x H: 190mm x 25mm x 25mm ( $\pm 0.2$ mm)
Port connectors	4.3-10 (Female)
Applications	IP65
Finish	White
Notes	Material shall be RoHS 6/6 and REACH compliant

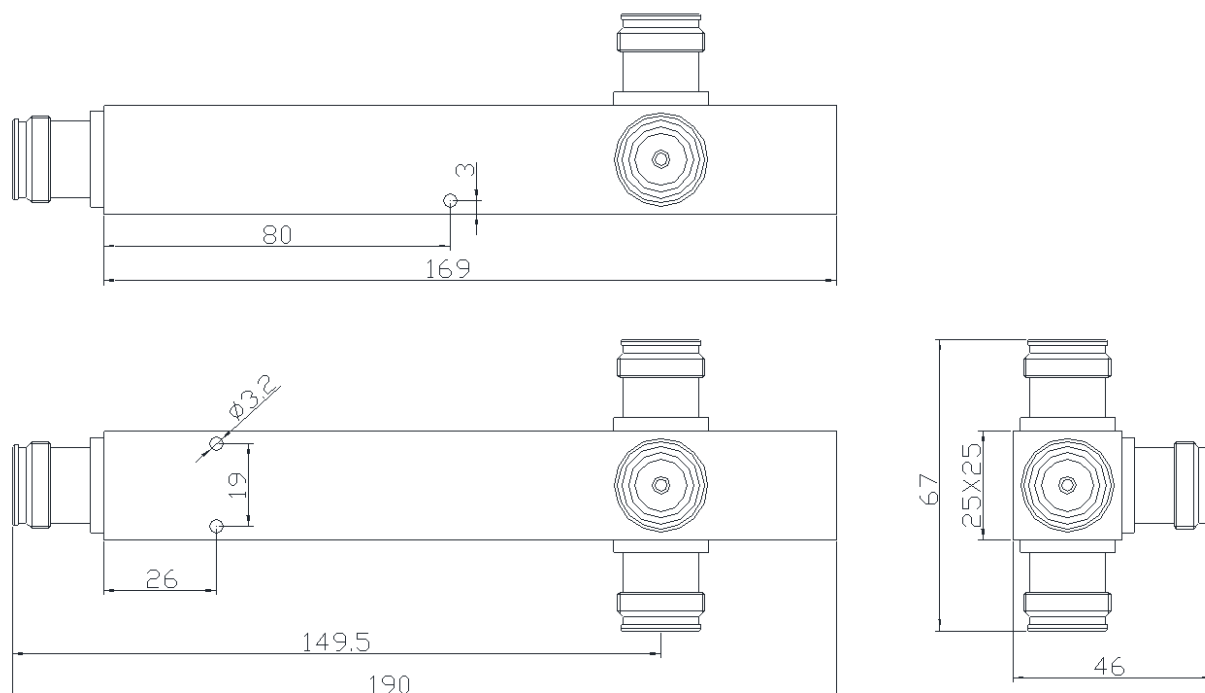


Figure 1 JX-PS-3-4310 front panel layout

**JING XIN MICROWAVE TECHNOLOGY CO.,LTD**

E-mail: [sales@cdjx-mw.com](mailto:sales@cdjx-mw.com) Web: <http://www.cdjx-mw.com>

TEL: +86-28-85026087 FAX: +86-28-65026087 ext.8033 Zip Code:610045

Add: No.65,West 1st Wu Ke Road, Wu Hou District, Cheng Du City, Si Chuan Province, China.

## 2. Electrical analysis

### 2.1 Electrical specifications

Table 2 Electrical specifications @ JX-PS-3-4310

Item	Parameter	Spec	
1	Frequency range	350-2700 MHz	
2	Insertion loss	≤5.2 dB	
3	VSWR	380-2700 MHz	1.20:1
		350-380 MHz	1.30:1
4	Intermodulation	-155@2*43dBm	
5	Impedance	50Ω	
6	Power Rating	300W	
7	Temperature Range	-35-85°C	

**JING XIN MICROWAVE TECHNOLOGY CO.,LTD**

E-mail: [sales@cdjx-mw.com](mailto:sales@cdjx-mw.com) Web: <http://www.cdjx-mw.com>

TEL: +86-28-85026087 FAX: +86-28-65026087 ext.8033 Zip Code:610045

Add: No.65,West 1st Wu Ke Road, Wu Hou District, Cheng Du City, Si Chuan Province, China.