

Technical proposal for JX-PT-350M5850M-N500 Power Tapper

Revision History

Version	Date	Author	Revision description	Comment
V1.0	2018/08/29	Lin liqun	Created	/

Table of content

Technical proposal for JX-PT-350M5850M-N500 Power Tapper	1
1. Mechanical layout.....	2
2. Electrical specifications	3

Figures

Figure 1 JX-PT-350M5850M-N500 front panel layout.....	2
---	---

Tables

Table 1 Mechanical Specifications	2
Table 2 Electrical specifications.....	3

JING XIN MICROWAVE TECHNOLOGY CO.,LTD

E-mail: sales@cdjx-mw.com Web: <http://www.cdjx-mw.com>

TEL: +86-28-85026087 FAX: +86-28-65941390 Zip Code:610045

Add: No.65,West 1st Wu Ke Road, Wu Hou District, Cheng Du City, Si Chuan Province, China.

1. Mechanical layout

Table 1 Mechanical Specifications

Dimension	LxWxH: 94mm x 23mm x 23mm
Connectors	N-Female or N-Male
Ingress Protection	Indoor/Outdoor Use, IP67
Notes	Material shall be RoHS 6/6
Remark	Install Bracket Include

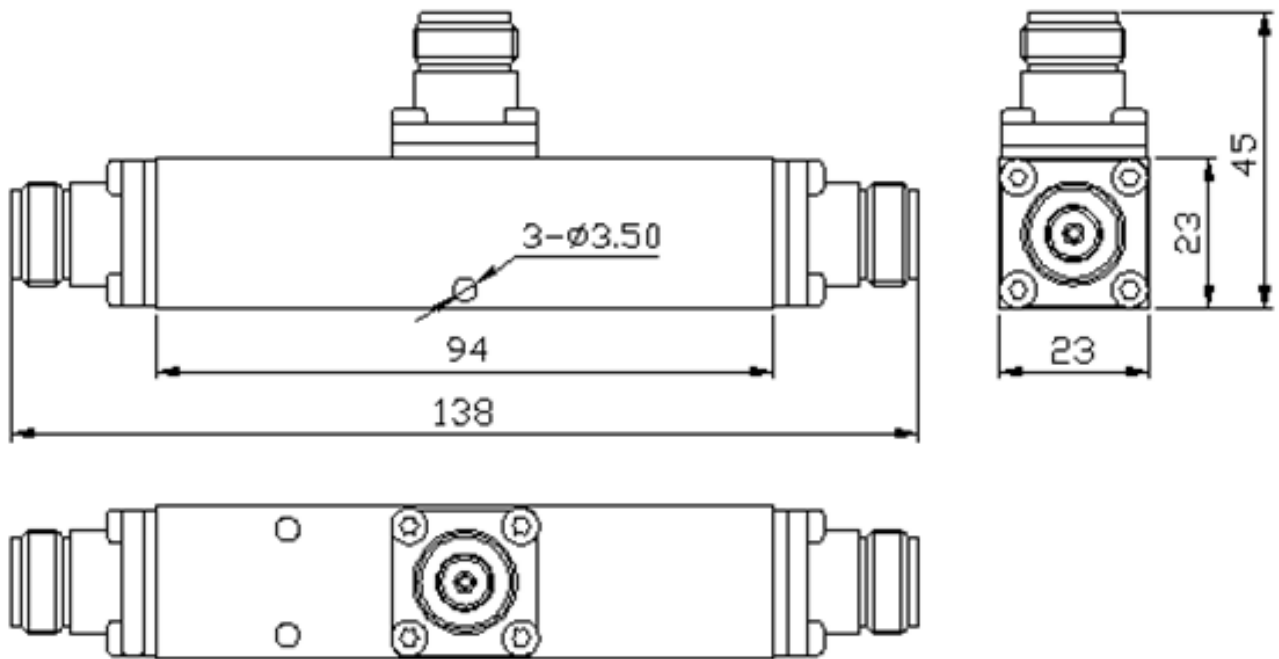


Figure 1 JX-PT-350M5850M-N500 front panel layout

JING XIN MICROWAVE TECHNOLOGY CO.,LTD

E-mail: sales@cdjx-mw.com Web: <http://www.cdjx-mw.com>

TEL: +86-28-85026087 FAX: +86-28-65941390 Zip Code:610045

Add: No.65,West 1st Wu Ke Road, Wu Hou District, Cheng Du City, Si Chuan Province, China.

2. Electrical specifications

Table 2 Electrical specifications

Item	Parameter	Specification									
1	Frequency Range	350-520 / 698-960 / 1710-2700 / 3500-4500 / 4900-5850MHz									
2	Coupling / Ratio	2:1 3.0dB	3:1 4.8dB	4:1 6.0dB	6:1 8.0dB	10:1 10dB	20:1 13dB	30:1 15dB	100:1 20dB	1000:1 30dB	
3	Output Split (Main Loss)	-1.8dB	-1.3dB	-1.0dB	-0.7dB	-0.4dB	-0.2dB	-0.1dB	-0.1dB	-0.1dB	
4	Output Split (Branch Loss)	-4.8dB	-6.1dB	-7.0dB	-8.6dB	-10.4dB	-13.2dB	-15.1dB	-20.1dB	-30.1dB	
5	Branch Fluctuate (dB)	350-520	+0.3/-1.3	+0.3/-1.3	+0.3/-1.3	+0.3/-1.3	+0.3/-1.3	+0.3/-1.3	+0.3/-1.3	+0.3/-1.3	+0.3/-1.3
		698-960	±0.5	±0.5	±0.5	±0.5	±0.5	±0.6	±0.7	±1.0	±1.0
		1710-2700	±0.5	±0.5	±0.5	±0.5	±0.5	±0.6	±0.7	±0.7	±0.7
		3500-4500	0/-1.5	0/-1.5	0/-1.5	0/-1.5	0/-1.5	±0.6	0/-1.5	+2/0	+2/-1
		4900-5850	±0.5	±0.5	±0.5	±0.5	±0.5	±0.6	±0.6	±1.0	+4/0
6	VSWR	690-2700	1.3:1	1.2:1	1.2:1	1.2:1	1.2:1	1.2:1	1.2:1	1.2:1	1.2:1
		350-5850	1.4:1	1.3:1	1.3:1	1.3:1	1.3:1	1.3:1	1.3:1	1.3:1	1.2:1
7	Power Rating	500 W									
8	Impedance	50Ω									
9	Intermodulation	-155dBc@2x43dBm *									
10	Temperature Range	-35 to 75°C									

* Can be Custom Made with -160dBc @ 2X43dBm

JING XIN MICROWAVE TECHNOLOGY CO.,LTD

E-mail: sales@cdjx-mw.com Web: <http://www.cdjx-mw.com>

TEL: +86-28-85026087 FAX: +86-28-65941390 Zip Code:610045

Add: No.65,West 1st Wu Ke Road, Wu Hou District, Cheng Du City, Si Chuan Province, China.