

Technical proposal for 2300to2615MHz Coaxial Circulator

Revision History

Version	Date	Author	Revision description	Comment
V1.0	2018/10/12	Lin liqun	Created	/

Table of content

Technical proposal for 2300to2615MHz Coaxial Circulator	1
1. Mechanical layout.....	2
2. Electrical specifications	2

Figures

Figure 1 Coaxial Circulator front panel layout	2
--	---

Tables

Table 1 Mechanical Specifications	2
Table 2 Electrical specifications.....	2

JING XIN MICROWAVE TECHNOLOGY CO.,LTD

E-mail: sales@cdjx-mw.com Web: <http://www.cdjx-mw.com>

TEL: +86-28-85026087 FAX: +86-28-65941390 Zip Code:610045

Add: No.65,West 1st Wu Ke Road, Wu Hou District, Cheng Du City, Si Chuan Province, China.

1. Mechanical layout

Table 1 Mechanical Specifications

Dimension	LxWxH: 28.5mm x 25.4mm x 15mm
Connectors	SMA-Female
Notes	Material shall be RoHS 6/6

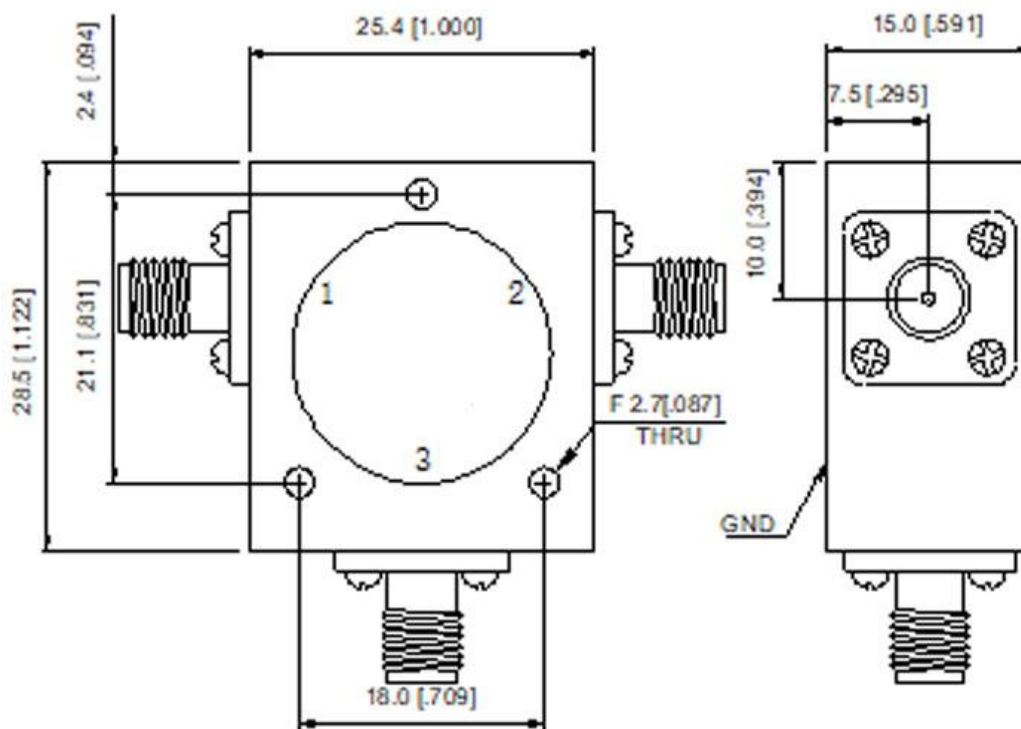


Figure 1 Coaxial Circulator front panel layout

2. Electrical specifications

Table 2 Electrical specifications

Model Numbe	Freq. Range (MHz)	Insertion Loss Max(dB)	Isolation Min(dB)	VSWR Max	Forward Power(W)	Reverse Power(W)	Temp. (°C)	Connector Type
JX-CT-2300M2400M-23S	2300~2400	0.3	23	1.2	100	100	-30~+70	SMA-F
JX-CT-2570M2615M-23S	2570~2615	0.3	23	1.2	100	100	-30~+70	SMA-F

JING XIN MICROWAVE TECHNOLOGY CO.,LTD

E-mail: sales@cdjx-mw.com Web: <http://www.cdjx-mw.com>

TEL: +86-28-85026087 FAX: +86-28-65941390 Zip Code:610045

Add: No.65,West 1st Wu Ke Road, Wu Hou District, Cheng Du City, Si Chuan Province, China.