

Technical Proposal for JX-PDx-140M500M-NF Power Divider

- ◆ High Performance
- ◆ High Reliability
- ◆ RoHS Compliant

Revision History

Version	Date	Author	Revision description	Comment
V1.0	2020/10/20	Wang	Created	/
V1.1	2020/10/21	Wang	Added the 3 ways model	JingXin request

Table of content

Technical Proposal for JX-PDx-140M500M-NF Power Divider.....	1
1. Mechanical specification	2
2. Electrical specification	3

Figures

Figure 1 JX-PD2-140M500M-NF front panel layout	2
Figure 2 JX-PD3-140M500M-NF front panel layout	2
Figure 3 JX-PD4-140M500M-NF front panel layout	3

Tables

Table 1 Mechanical specifications @ JX-PDx-140M500M-NF.....	2
Table 2 Electrical specifications @ JX-PDx-140M500M-NF	3

JING XIN MICROWAVE TECHNOLOGY CO.,LTD

E-mail: sales@cdjx-mw.com Web: <http://www.cdjx-mw.com>

TEL: +86-28-85026087 FAX: +86-28-65026087 ext.8033 Zip Code:610045

Add: No.65,West 1st Wu Ke Road, Wu Hou District, Cheng Du City, Si Chuan Province, China.

1. Mechanical specification

Table 1 Mechanical specifications @ JX-PDx-140M500M-NF

Model number	JX-PD2-140M500M-NF	JX-PD3-140M500M-NF	JX-PD4-140M500M-NF
Dimension	L x W x H: 76mm x 60mm x 20mm	L x W x H: 156mm x 100mm x 20mm	L x W x H: 120mm x 120mm x 20mm
Connectors	N-Female		
Finish	Conductive Oxide		
Notes	Material shall be RoHS 6/6		

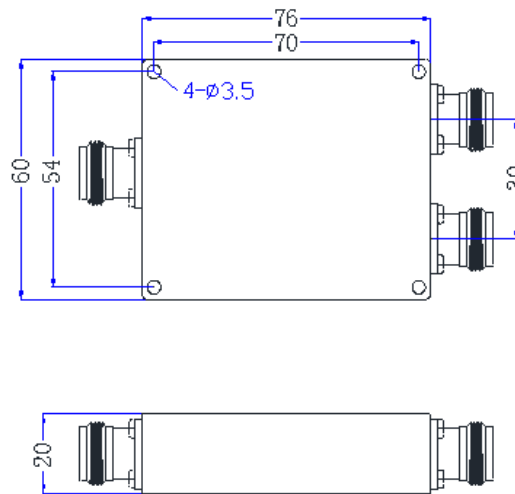


Figure 1 JX-PD2-140M500M-NF front panel layout

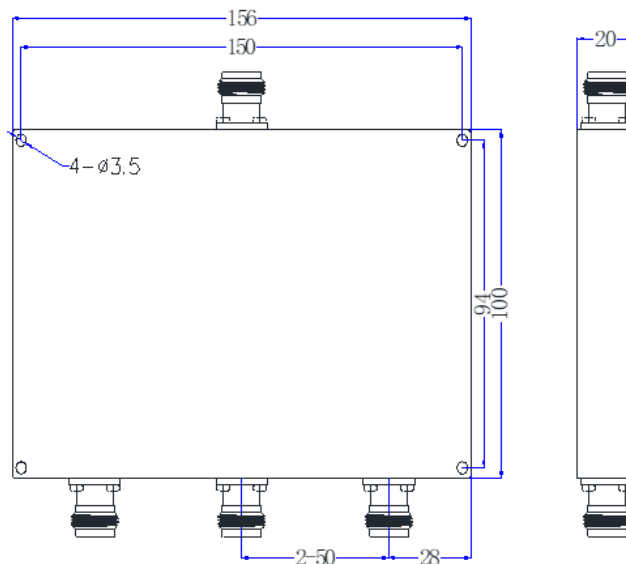


Figure 2 JX-PD3-140M500M-NF front panel layout

JING XIN MICROWAVE TECHNOLOGY CO.,LTD

E-mail: sales@cdjx-mw.com Web: <http://www.cdjx-mw.com>

TEL: +86-28-85026087 FAX: +86-28-65026087 ext.8033 Zip Code:610045

Add: No.65,West 1st Wu Ke Road, Wu Hou District, Cheng Du City, Si Chuan Province, China.

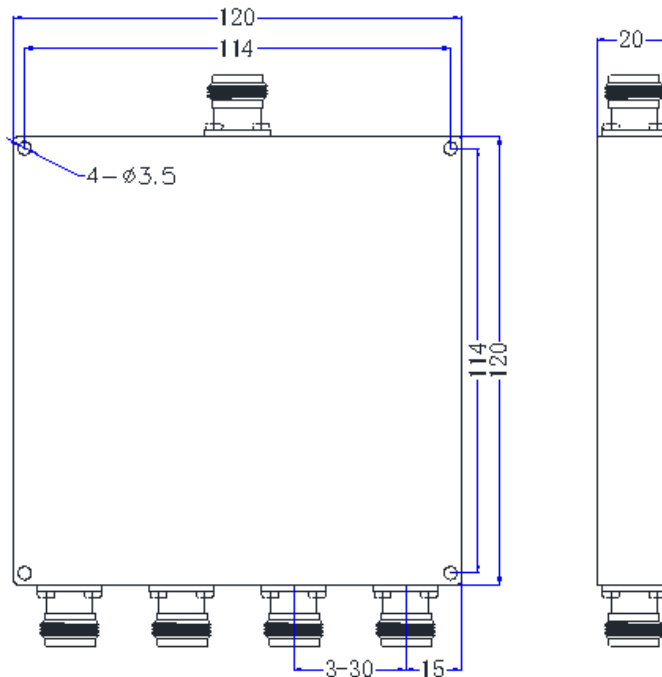


Figure 3 JX-PD4-140M500M-NF front panel layout

2. Electrical specification

Table 2 Electrical specifications @ JX-PDx-140M500M-NF

Item	Parameter	Specifications		
1	Frequency range	140-500MHz		
2	Model number	JX-PD2-140M500M-NF	JX-PD3-140M500M-NF	JX-PD4-140M500M-NF
3	Insertion loss	≤1.0dB (Exclusive the 3dB Split Loss)	≤1.5dB (Exclusive the 4.8dB Split Loss)	≤1.6dB (Exclusive the 6dB Split Loss)
4	VSWR	≤1.5(Input) & ≤1.3(Output)	≤1.6(Input) & ≤1.4(Output)	≤1.6(Input) & ≤1.3(Output)
5	Amplitude balance	≤±0.3dB	≤±0.5dB	≤±0.4dB
6	Phase Balance	≤±3degree	≤±5degree	≤±4degree
7	Isolation	≥20dB	≥16dB	≥20dB
8	Average Power	20W (Forward) & 2W (Reverse)		
9	Impedance	50Ω		
10	Operating temperature	-40°C to +80°C		
11	Storage temperature	-45°C to +85°C		

JING XIN MICROWAVE TECHNOLOGY CO.,LTD

E-mail: sales@cdjx-mw.com Web: <http://www.cdjx-mw.com>

TEL: +86-28-85026087 FAX: +86-28-65026087 ext.8033 Zip Code:610045

Add: No.65,West 1st Wu Ke Road, Wu Hou District, Cheng Du City, Si Chuan Province, China.