

# Technical proposal for JX-AL-03-10W Load

## Revision History

Version	Date	Author	Revision description	Comment
V1.0	2018/06/01	Lin liqun	Created	/

## Table of content

Technical proposal for JX-AL-03-10W Load .....	1
1. Mechanical layout.....	2
2. Electrical Specifications .....	2

## Figures

Figure 1 JX-AL-03-10W front panel layout .....	2
--	---

## Tables

Table 1 Mechanical Specifications .....	2
Table 2 Electrical specifications.....	2

**JING XIN MICROWAVE TECHNOLOGY CO.,LTD**

E-mail: [sales@cdjx-mw.com](mailto:sales@cdjx-mw.com) Web: <http://www.cdjx-mw.com>

TEL: +86-28-85026087 FAX: +86-28-65941390 Zip Code:610045

Add: No.65,West 1st Wu Ke Road, Wu Hou District, Cheng Du City, Si Chuan Province, China.

## 1. Mechanical layout

Table 1 Mechanical Specifications

Dimension	Φ35 mm x 62.5mm
Connectors	DIN-Male
Notes	Material shall be RoHS 6/6

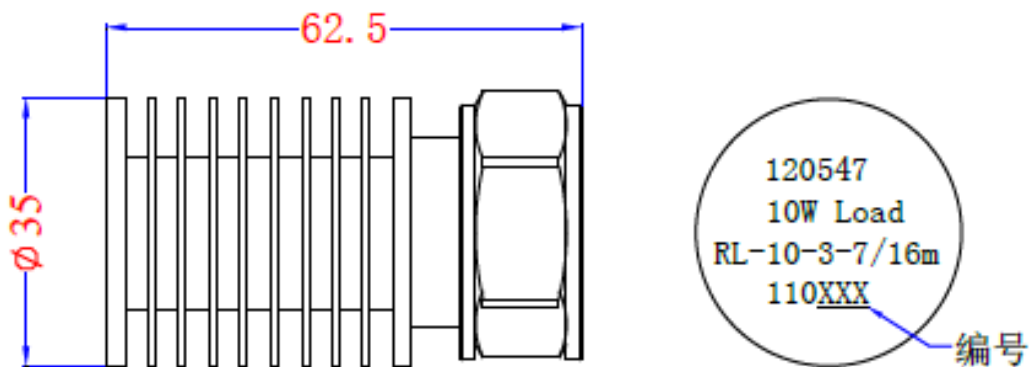


Figure 1 JX-AL-03-10W front panel layout

## 2. Electrical Specifications

Table 2 Electrical specifications

Item	Parameter	Specification
1	Frequency Range	DC-3GHz
2	VSWR	≤1.2 dB
3	Power	10W
4	Temperature range	-40°C~ +75°C
5	Impedance all ports	50Ω
6	PIM3	≥140dBc@2*33dBm
7	IP Protection	IP67

**JING XIN MICROWAVE TECHNOLOGY CO.,LTD**

E-mail: [sales@cdjx-mw.com](mailto:sales@cdjx-mw.com) Web: <http://www.cdjx-mw.com>

TEL: +86-28-85026087 FAX: +86-28-65941390 Zip Code:610045

Add: No.65,West 1st Wu Ke Road, Wu Hou District, Cheng Du City, Si Chuan Province, China.